

Operating Instructions

4.5 x 4.5 Aluminum Quick Clean Off Sleeve



Bluestreakequipment MAGNETICS
APPLICATION DRIVEN DESIGN

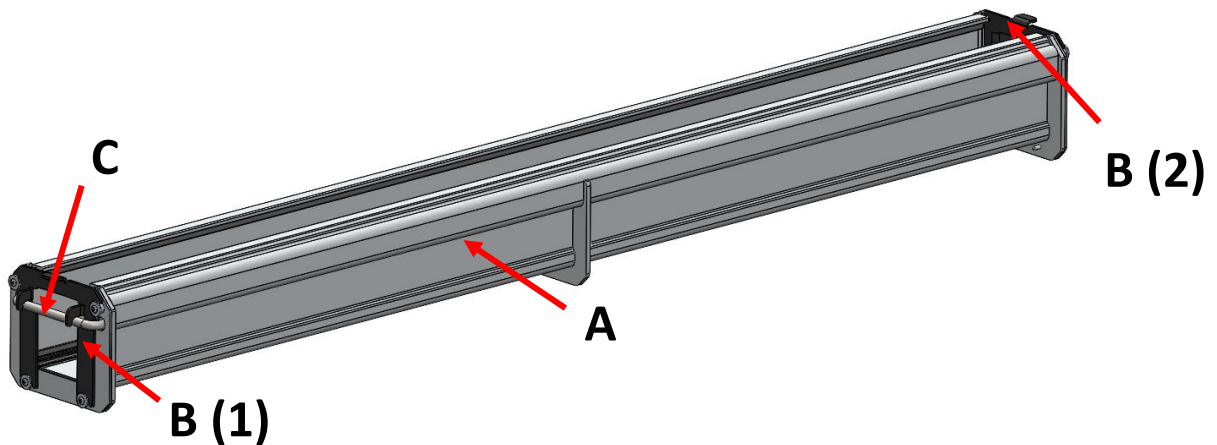
Bluestreak Equipment
1645 Hwy #3, Delhi, Ontario, Canada N4B 2W6

Step 1: Unbox the Shipment

The 4.5 x 4.5 Aluminum Quick Clean Off Accessory is meant as an upgrade for a Bluestreak PVC clean off sleeve, and works as a replacement for any products that already use the 4.5 x 4.5 Aluminum Quick Clean Off Sleeve.

You will need to remove the old sleeve (if present) and discard it before utilizing the new sleeve on your magnet.

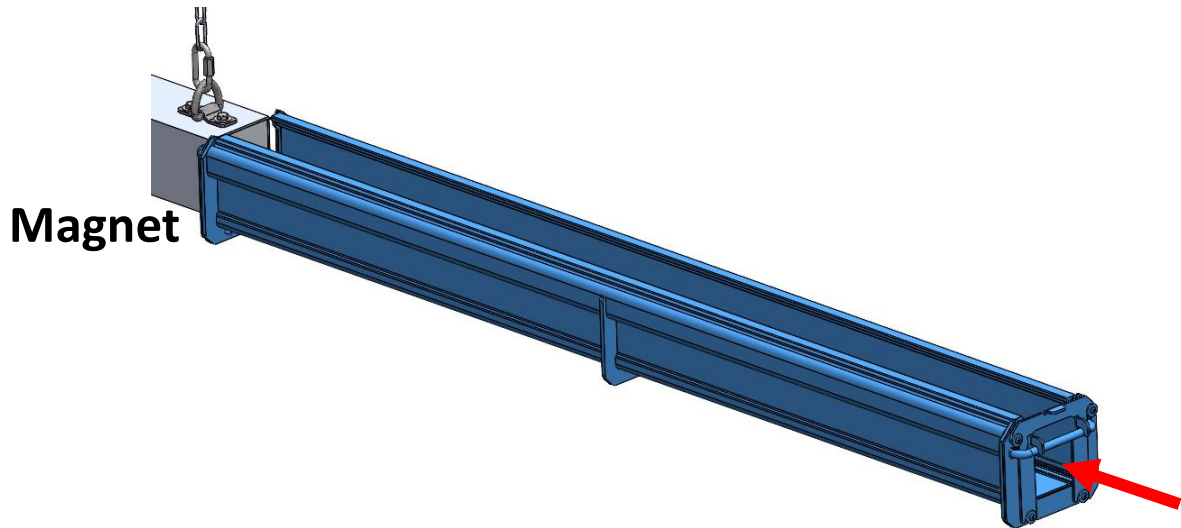
1. Unbox and unwrap the sleeve assembly. Confirm there are the following parts and that nothing was lost or damaged in transit:
 - A. 1pc aluminum Quick Clean Off Sleeve
 - B. 2pc black powder coated end caps
 - C. 1pc Stainless Steel Handle (inserted into the aluminum sleeve assembly)



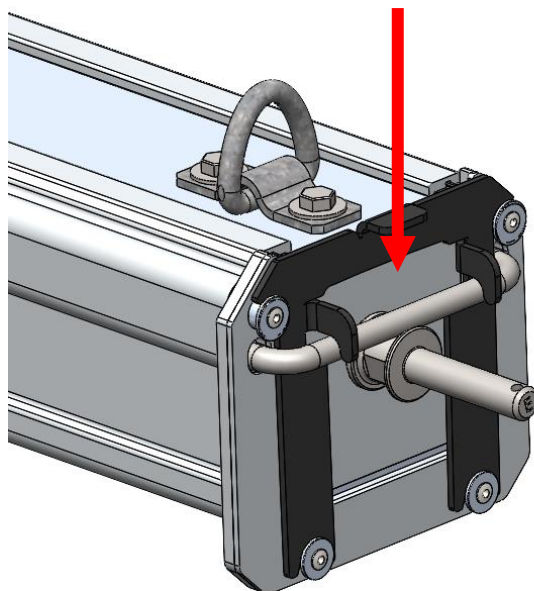
2. Remove B (2) from the sleeve. You only need to remove this end cap from the sleeve assembly before sliding the sleeve on your magnet (see next page)

Step 2: Install the Sleeve

Install the Sleeve on your magnet accessory. Install it from the handle side so that it slides on without interference



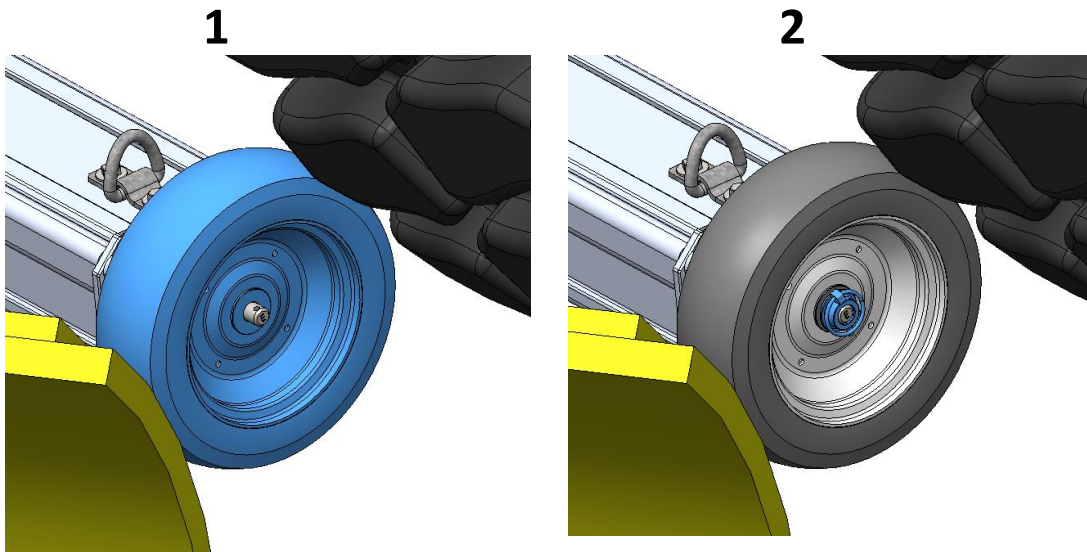
Place the black steel end cap on the other side of the sleeve assembly once the sleeve is pushed fully on. This end cap needs to be on the assembly to keep the sleeve on the magnet when sweeping for metal debris.



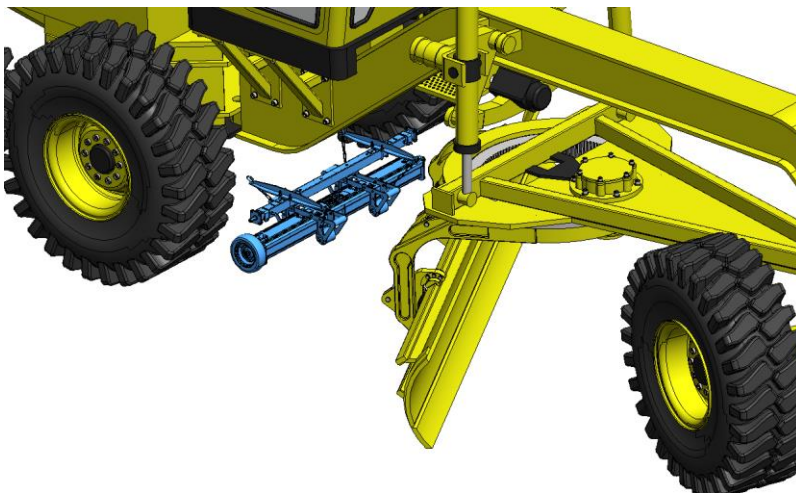
Step 3: Reinstall wheels on sweeper

Re-install the wheels on the sweeper if your sweeper has them.

Note: If your sweeper has UHMW bushings in the wheels as seen in (2), you will have an additional stainless-steel retainer with the lynch pin to secure the wheels on the sweeper. Make sure this part is installed so that the lynch pin does not dig into the UHMW and wear it down.

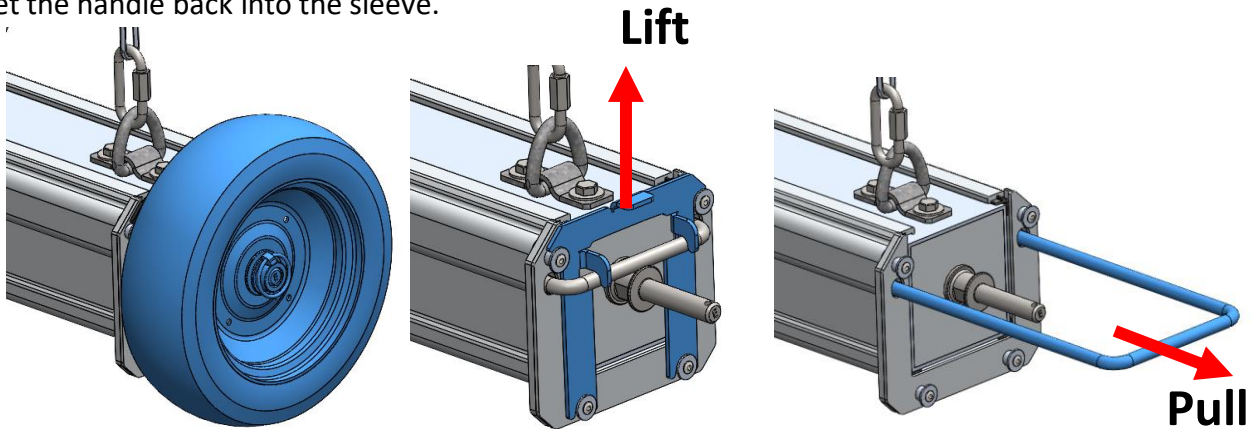


Sweep with the sweeper to collect metal debris. It is best to continuously check the magnet for amount of material collected to ensure the sleeve does not get too packed with debris.



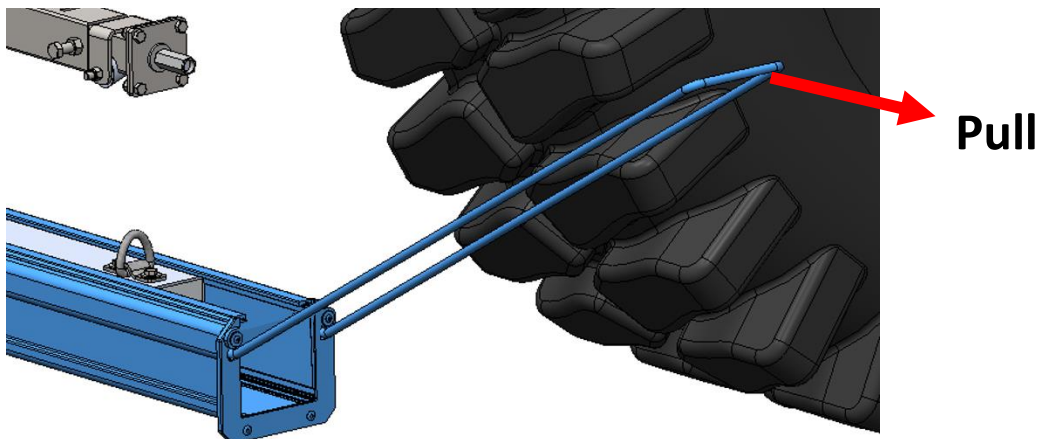
Step 4: Clean Off The Magnet

Remove wheel if present. Remove steel end cap. Lift the stainless-steel pull handle over the flange in the wheel bolt and pull it horizontally until it is fully extended. Once fully extended you will notice it can pivot up and down. You should not try to pivot the handle in any position other than when it is fully extended as this will cause damage to the pull handle, and may not allow you to get the handle back into the sleeve.



Grip the stainless-steel pull handle firmly and pull towards you. In the case where there is lots of debris collected, you may need to first pull swiftly to get the sleeve started off the magnet housing. It should get easier the further you pull the sleeve off.

Note: The more parallel to the ground the handle is, the easier it will be to pull the sleeve off. The handle pivots for some ease of use, however it is not recommended to pull from steep angles as it takes much more force to pull the sleeve off, and in some cases the handle can be pulled completely out of the assembly.

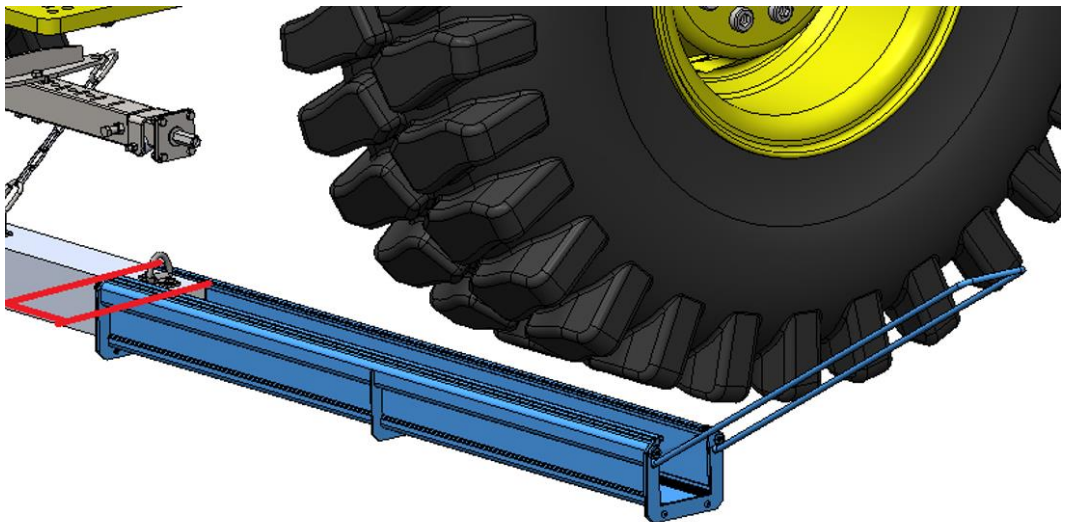


Step 4, continued

Continue to pull the sleeve until there is just 8-10 inches of sleeve still over the magnet. It is highly recommended that the debris left on the sleeve be hand picked off the magnet.

Note: The aluminum sleeve will not get damaged if it is pulled off fully and falls to the ground when set at an appropriate sweep height between 3-5 inches. You may have some difficulty getting the sleeve aligned and back on the magnet

**8-10"
left**

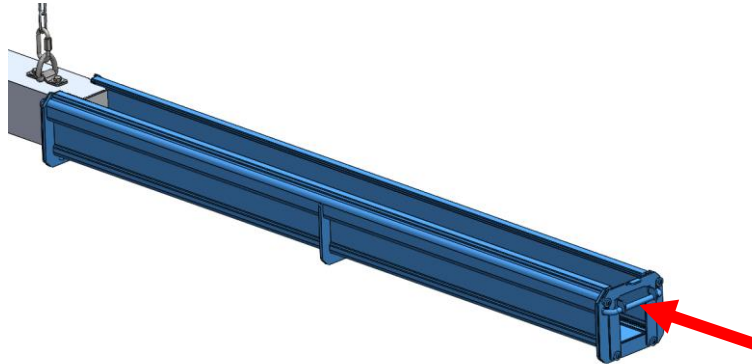


Visually inspect and remove any debris that may be stuck to the surface of the magnet. Remove debris on the Aluminum Sleeve and Magnet Housing on all 3 sides so that the sleeve can slide back on easily. Failure to remove left over debris will cause difficulty when putting the sleeve back on, and subsequently when attempting to remove the sleeve the next time.

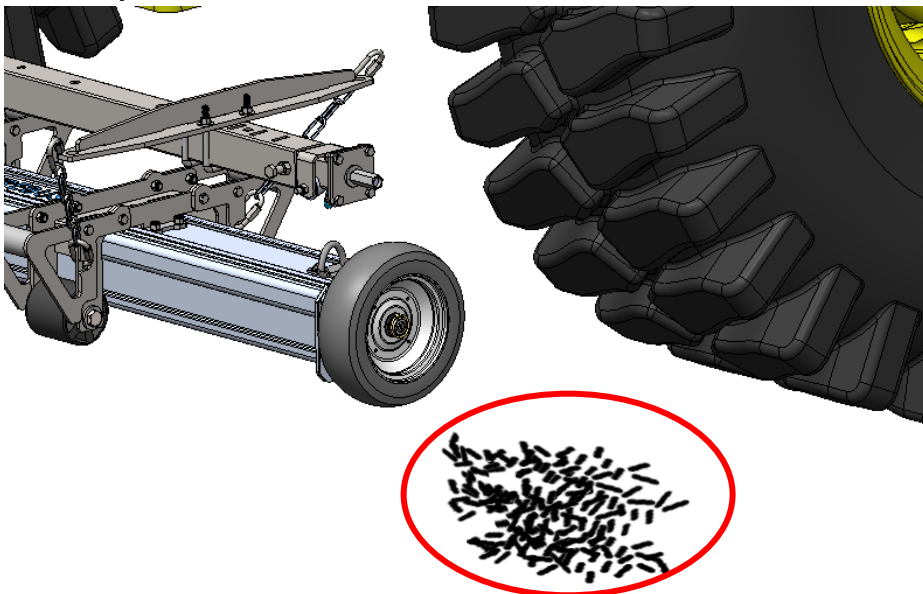
Step 5: Reinstall the quick clean off sleeve

Push the handle back into the pocket in the sleeve before sliding the sleeve back on the magnet. Push the sleeve back on from the end that it was pulled off from. **Make sure to reinstall the painted steel end caps to keep the sleeve locked on the magnet.** Continue sweeping with the Magnetic Sweeper.

Note: It is recommended that the magnet be cleaned off often. The more debris that is on the magnet, the lower performance it will have. A clean magnet surface will allow you to travel faster with better pickup performance.



The debris that was collected will be piled up on the ground on one end of the sweeper. Sweep up this debris and place it in a designated scrap or garbage bin. Alternatively, you can use a Bluestreak Powerstik to easily pickup and discard debris. Always wear gloves when handling metal debris to avoid cuts or other injuries.





Maintenance

Before Every Use

Check that all fasteners (nuts, bolts, pins, etc) are in their right place and are tight. Inspect and replace any worn, torn or missing safety decals.

Every Month

Inspect all components for signs of damage or fatigue and replace as necessary. Inspect the plastic wear strips on the Aluminum Quick Clean Off Sleeve for damage and replace as necessary.

Every Year

Inspect the attachment for any loose or worn parts that may need to be replaced prior to the next season.

Visually inspect the wheels for heavy wear and aluminum quick clean off sleeve for damage and replace, as necessary.

Clean, sand & repaint any area that looks worn or scratched to prevent further rusting. Use an equipment paint found at your local hardware store or building center.

Replace any stickers that have been lost or damaged.

Store your attachment in a shed or cover with a water-proof tarp if it is stored outside to protect it from the elements. Store in an area not frequented by children.

Storage Tips

It is preferred to store the sweeper in a cool dry place. If it is being stored outside, a waterproof tarp is recommended to cover the entire sweeper. Although the steel parts are painted or powder coated, with use it will get scratched, and chips can occur in the paint. Upon inspection, touch up the bare metal areas to prevent further corrosion and rusting.

Additionally, having the aluminum exposed to the elements year-round can cause it to corrode. It is highly recommended to cover the entire sweeper with a tarp for this reason.